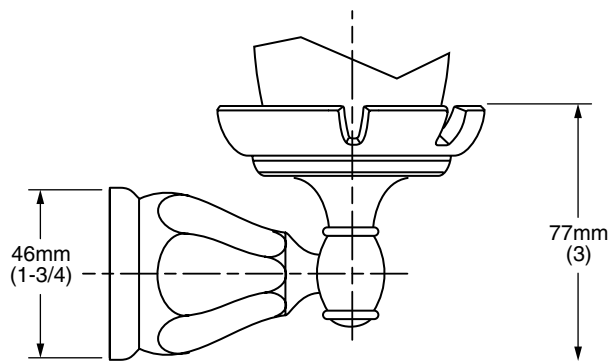
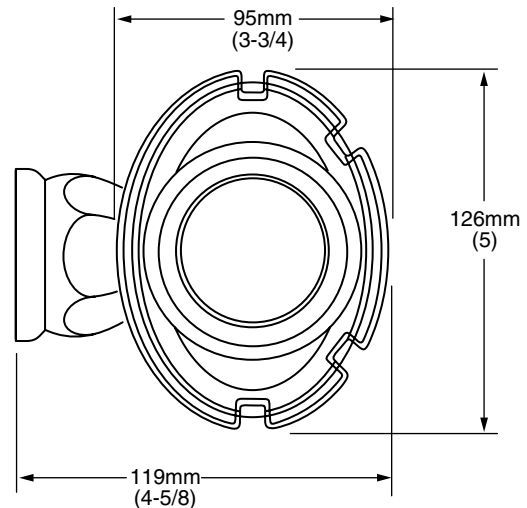
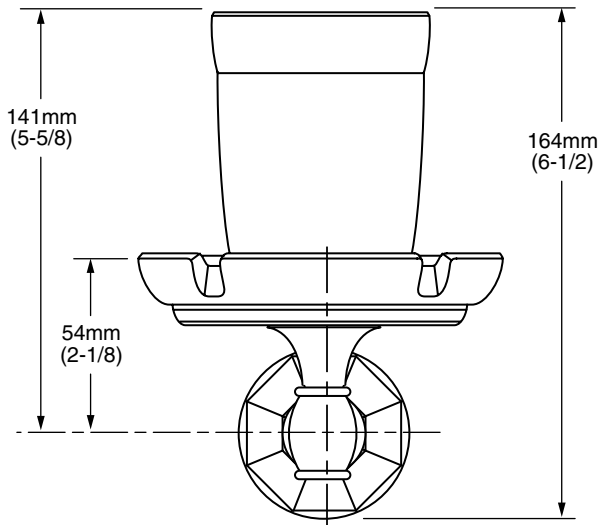


**MODEL NUMBER:**

☐ 6028.160 Tumbler/Toothbrush Holder

**Available Finishes**

.002	Polished Chrome
.068	PVD Blackened Bronze
.295	Satin Nickel



**PRODUCT FEATURES:**

**Heavy duty construction:** Highest quality materials for durability & long life.

**Concealed Mounting:** No exposed set screws.

**Materials of Construction:** Body and Escutcheon - zinc. Toothbrush Holder and Tumbler - clear glass.

**Easy to Install**

**Durability of Finishes:** Chrome and PVD finishes will never tarnish.

**SUGGESTED SPECIFICATION:**

Tumbler/Toothbrush Holder shall feature heavy-duty construction. Shall feature concealed mounting. Toothbrush Holder and Tumbler shall be clear glass. Tumbler/Toothbrush Holder shall be American Standard Model # 6028.160\_\_\_\_.